




APOLLO

KEESTRACK
GROUP

Built to last, designed to perform



High performance jaw crusher
Easy service and maintenance access
Feeding size up to 600 mm
Feed opening 1100 x 700 mm
C.S.S. min. - max. 55 - 125 mm granit, 45-125 mm concrete
Advanced technology for low cost per ton production
User friendly, simple but intelligent controls
Double deck vibrating pre-screen
Full automated feeding system
Non Stop System to ensure a continuous production process
Capacity up to 400 tonnes / hour

Technology to support you and the environment

Aggressive kinematics and high power

In addition to the right cavity dimensions, the right kinematics must be applied. That is why G Series jaw crushers have a large eccentric throw coupled with a steep toggle plate angle that magnifies the effective stroke at the crusher discharge. The large stroke, combined with the right speed, aggressive nip angle, flywheel inertia and high available crusher power result in truly high crusher performance.

Proven advanced technology of the Apollo stands for a continues production process. The Non Stop System protects the crusher from un-crushable objects by opening and resetting itself to the set position.

The double deck vibrating pre-screen ensures a perfect finished product and less wear.

The full automatic feeding system fills the crusher chamber to an optimum of 75-80% to get the best crushing results.

The Relytec control panel for simplified operation and maintenance.

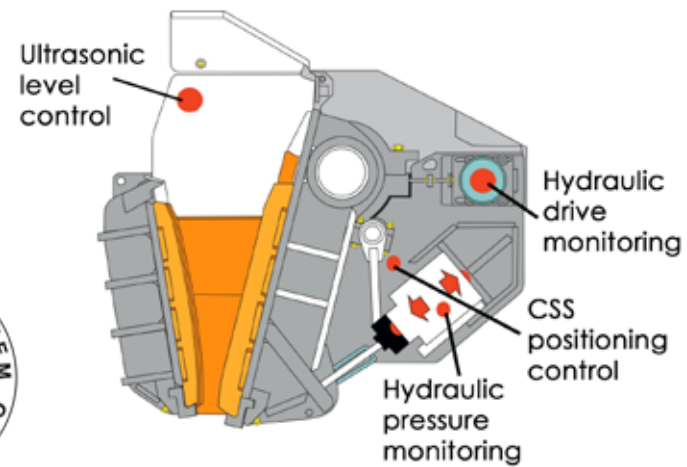
The Diesel engine with low emission norms combined with the Fuel Saving load sense hydraulic system ensures minimum impact on the environment and reduces fuel consumption.

You can operate the Apollo jaw crusher from the excavator using the remote control.



Features and benefits by clever design

- Non Stop System to ensure continuous crushing
- Full hydraulic adjustment of CSS during work
- Full automatic feeding system to get optimum crushing results
- Optimum flexibility and mobility with high performance and reliability
- No support legs
- Perfect results at lowest costs
- Robust and smart design with good access for maintenance, repair and exchanging wear parts
- Low weight and compact transport dimensions
- Up to 25% greater fuel efficiency by using Fuel Saving “load sense” hydraulic
- Operational in 30 minutes
- Low loading/feeding height
- User friendly controls
- Perfect accessible engine compartment
- Condensate drain at the fuel tank
- Heavy duty water absorbing filters
- New remote control concept enabling the jaw crusher to restart with a full crushing chamber



Applications

- Granite, Basalt and most medium and hard stone
- Quarrying and mining
- Concrete and landfill recycling
- Construction waste
- Demolition
- Primary crushing
- Gravel
- Coal and slag



TECHNICAL SPECIFICATIONS

APOLLO

Transport height	3.300 mm	10'10"
Transport width	2.550 mm	8'4"
Transport weight	42.000 kg	46sT
Transport length	15.820 mm	51'11"

Loading hopper
All three hopper walls are hydraulic foldable

Capacity	5 m ³	6,5 yards ³
----------	------------------	------------------------

Feeding unit
Vibrating pan feeder

Dimensions	1.000 x 2.300 mm	40" x 4'8"
double deck vibrating pre-screen	1.000 x 2.300 mm	40" x 4'8"

Jaw Crusher with Non Stop System
Feed opening

Dimensions	1.100 x 700 mm	3'7" x 2'4"
C.S.S. min. - max. granite	45 - 125 mm	1,8" - 4,9"
concrete	55 - 125 mm	2,2" - 4,9"

Main belt conveyor
Length x width

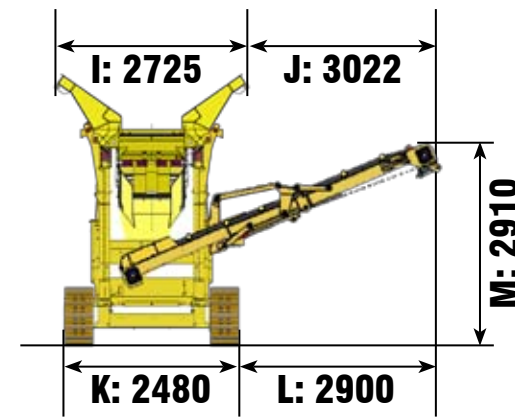
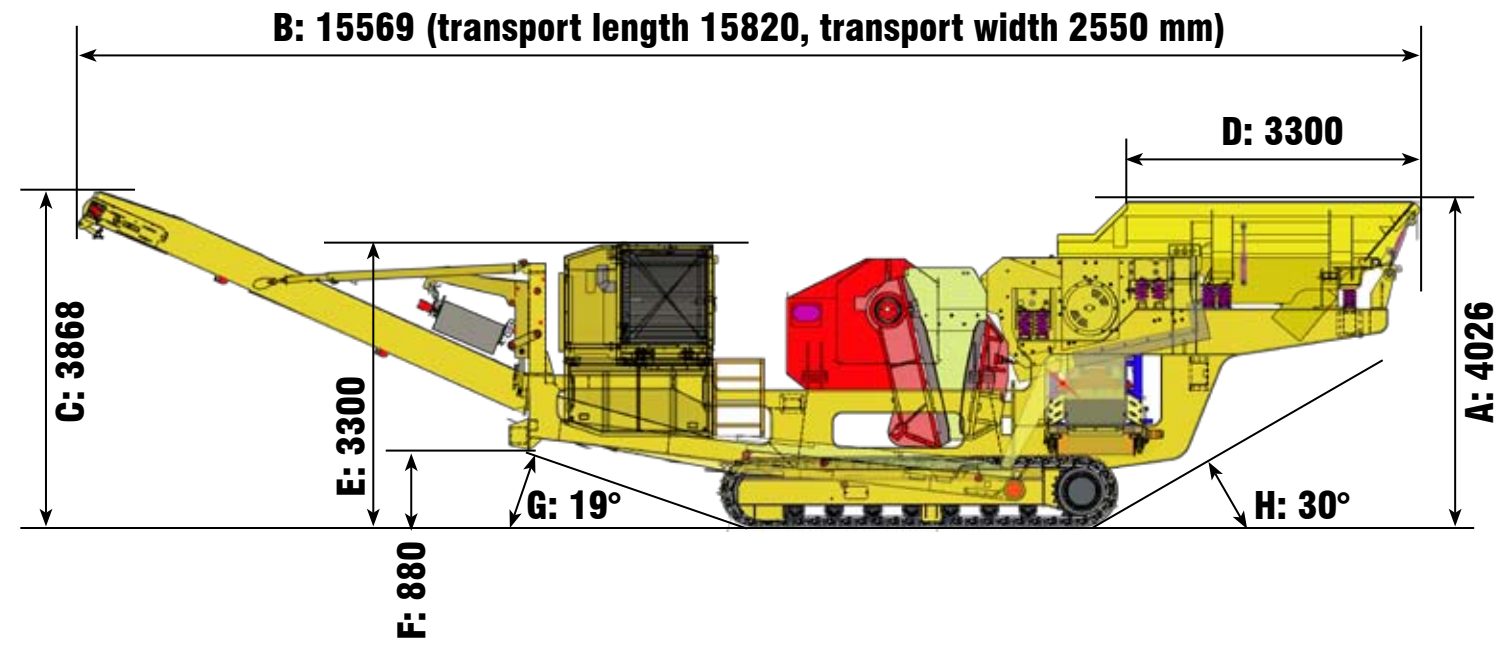
Dimensions	11.100 mm x 1.000 mm	36'4" x 40"
Discharge height	3.800 mm	12'6"

Track drive
Longitudinal centres x width ~ 3.800 mm x 400 mm ~ 12'6" x 1'4"

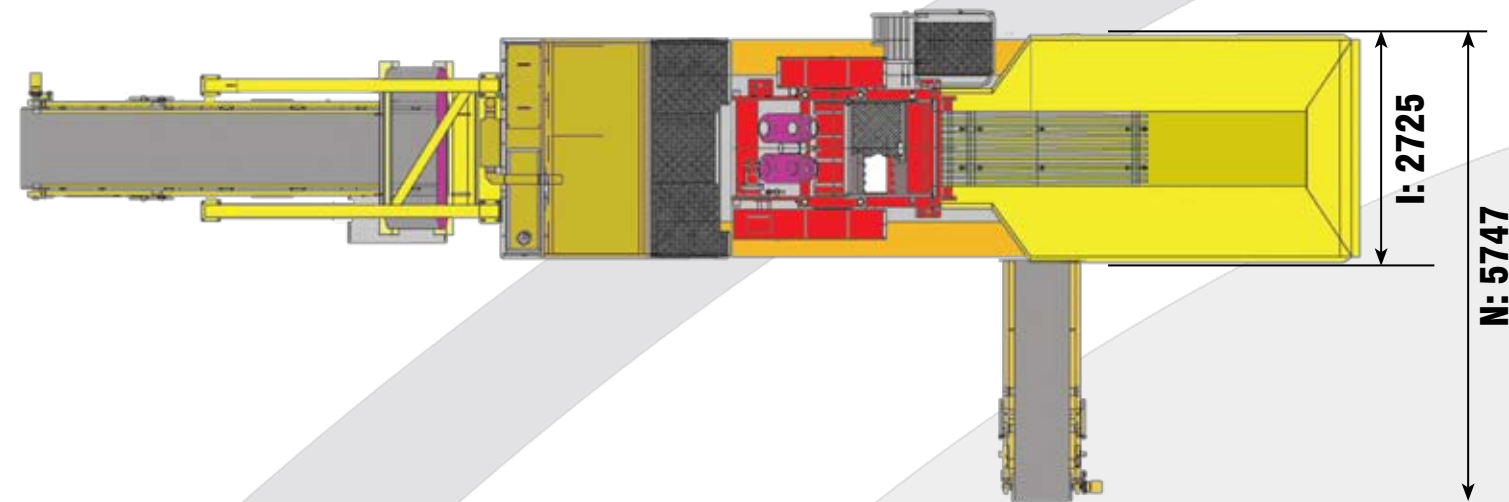
Power unit
Hydraulic

Diesel / hydraulic
Load-sense

Unit control: Relytec control panel
PLC control with color LCD screen
Program N.S.S. (Non Stop System)
Crusher overload protection
Radio Remote (option)



Working Dimensions



A	B	C	D	E	F	G	H	I	J	K	L	M	N	
4026	15569	3868	3300	3300	880	19°	30°	2725	3022	2480	2900	2910	5747	mm
13'3"	51'1"	12'8"	10'10"	10'10"	2'11"	19°	30°	8'11"	9'11"	8'2"	9'6"	9'7"	18'10"	Ft/inch

APOLLO OPTION LIST



1.



2.



3.



4.



5.



6.



7.



8.



9.

1. Hydraulic lifttable overband magnet

2. Working lights

3. Foldable side belt conveyor

4. Radio remote control, 3 available levels

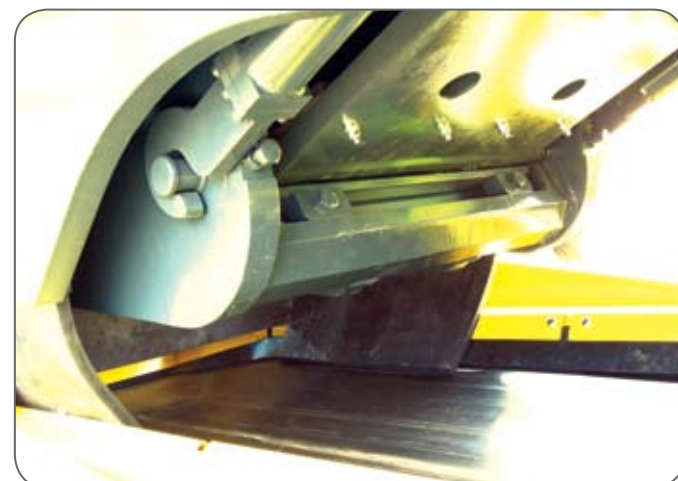
5. Central greasing system

6. Water pump

7. Diesel fill pump 80 l/min. with water separator filter

8. Dust suppression system

9. Loading hopper wear plates



Apollo, great at work



KEESTRACK
GROUP

KEESTRACK nv • Taunusweg 2 • 3740 Bilzen • Belgium • Tel.: +32 89 51 58 51
info@keestrack.net • www.keestrack.com

KEESTRACK - OM spa • Via Postumia 62 • 31050 Ponzano Veneto (Treviso) • Italy
Tel.: +39 0422 441 311 • omtrack@omtrack.it • www.omtrack.it