



**MEGADYNE**



# **MEGASYNC™ RUBBER TIMING BELTS**

PRODUCT  
BROCHURE

EN

# WELCOME TO **MEGADYNE**

Megadyne offers a full line of power transmission belting solutions for industrial distribution and original equipment manufacturers (OEMs). We are a global product brand, leader in rubber and polyurethane synchronous belts, engineered belts and V-belts.



**8**



FACTORIES IN EUROPE,  
ASIA AND AMERICA

**+170**



COMMERCIAL LOCATIONS

## OUR SOLUTIONS

Our customers are original equipment manufacturers and aftermarket distributors, for whom we deliver a large range of products. Our offering includes thermoset and thermoplastic polyurethane belts, rubber timing and V-belts, flat belts, multi-rib belts, specialty belts, pulleys, clamping plates, timing bars and complementary products, including custom-made.



## ENERGY EFFICIENT BELT DRIVES

Synchronous belts provide a 98% drive efficiency over heavy-duty classical belts which on average afford 92% efficiency. Therefore, upgrading to synchronous belts is a "Best Practice" in reducing energy consumption.



**FOR MORE INFORMATION  
AND OUR FULL PRODUCT  
RANGE, PLEASE SCAN  
BELOW:**



# MEGASYNC™ TITANIUM

ULTRA HIGH-TORQUE

**MEGADYNE MEGASYNC**  **Titanium**

Megadyne introduces one of the highest power density synchronous power transmission belts on the market! The next generation of synchronous belts surpassing the Platinum and other premium belt drives on the market today. When you want to replace chains, gears or you need to provide a superior belt drive solution - you need MEGADYNE MEGASYNC™ Titanium. With an enhanced design and innovative materials, Titanium has all the features and performance to make it the ideal belting solution in the most demanding applications.

## PERFORMANCE:

The RPC profile achieves a high-power capacity drive with excellent dimensional stability and a fully-functional interchange with all of the most common existing deep pulley tooth profile systems, including HTD, RPP and PCGT profiles.

## FEATURES & BENEFITS:

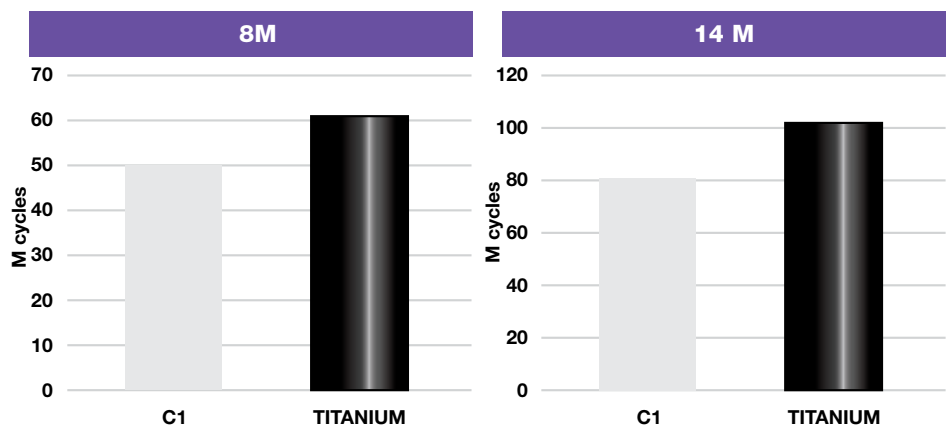
- Tooth Pitch Codes: TTM8 and TTM14
- Compound: HNBR rubber
- Cord: 100% Carbon Fiber
- Tooth Facing: High performance fabric with special anti-friction treatment
- Operating Temperatures: -40 °C up to +120 °C (Max peak: +140 °C)
- Antistatic, according to ISO 9563
- Available in any width

## PART NOMENCLATURE:

### 3500TTM14M65

- 3500** = Pitch length (mm)
- TTM** = Titanium
- 14M** = Tooth pitch (14mm)
- 65** = Belt width (mm)

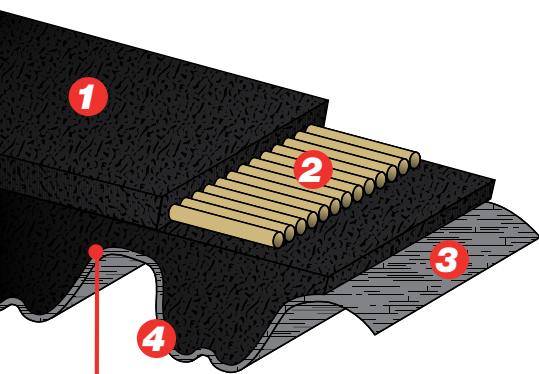
## DURABILITY TEST - TITANIUM VS COMPETITORS



Legend: C1 = Competitor 1

MEGASYNC™  
RUBBER TIMING BELTS

[megadynegroup.com](http://megadynegroup.com)



The MEGASYNC™ Titanium belt is made with the most innovative materials of the highest quality. The extensive development and tests performed have resulted in a synchronous belt that has:

- 1. COMPOUND**  
HNBR rubber
- 2. CORD**  
100% carbon fiber
- 3. TOOTH FACING**  
High performance fabric with special anti-friction treatment
- 4. TOOTH PROFILE**  
RPC

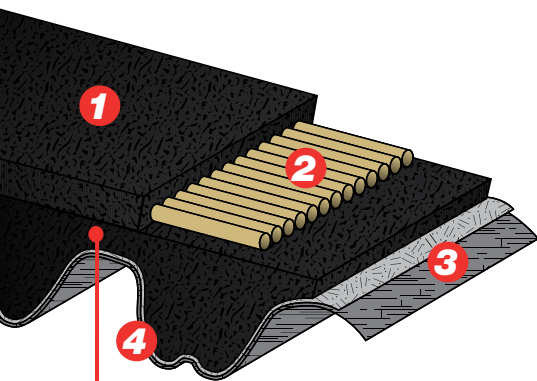
# MEGASYNC™ GOLD2

SUPER HIGH-TORQUE



MEGASYNC™ Gold2 has been developed to provide a more powerful version of RPP and Silver belts. It is suitable for a very wide range of applications in power transmission. This type of belt combines the advantages of gears and roller chain drives, minimizing the drawbacks of both.

Gold2 belts feature the RPC profile, designed also to be interchangeable with existing deep groove profiles and to run on pulleys according to ISO 13050.



The MEGASYNC™ Gold2 belt is made with premium materials. The extensive development and tests performed have resulted in a synchronous belt that has:

- 1. COMPOUND**  
High-performance NBR
- 2. CORD**  
High-performance Fiberglass
- 3. TOOTH FACING**  
Dual layer nylon (for 14M) and single layer nylon (for 8M): self-lubricating, low friction, extended life
- 4. TOOTH PROFILE**  
RPC

## FEATURES & BENEFITS:

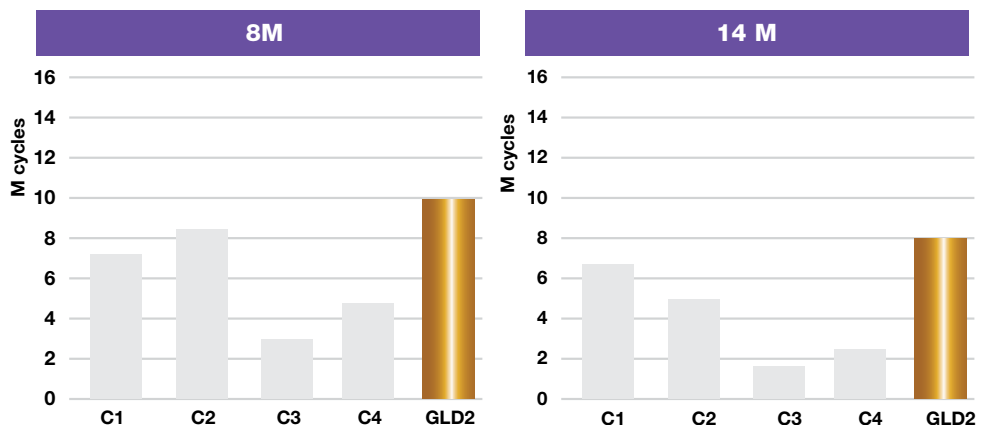
- Tooth Pitch Code: GLD2 5M, GLD2 8M and GLD2 14M
- RPC tooth profile, known for its low-noise characteristics
- Cord: Higher power capacity Fiberglass Cords with excellent dimensional stability
- Compound: high-performance compound gives oil and heat resistance
- Tooth Cover: impregnated fabric coated with a film provides low friction and durability
- Antistatic properties: conforms to ISO 9563 (BS 2050) standard
- Operating temperatures: -25 °C up to +100 °C
- Available in any width
- On demand: GLD2 8M DD and GLD2 14M DD (Dual-Sided)

## PART NOMENCLATURE:

### 1800GLD2-8M50

- 1800** = Pitch length (mm)
- GLD2** = Gold2
- 8M** = Tooth pitch (8mm)
- 50** = Belt width (mm)

## DURABILITY TEST - GOLD2 VS COMPETITORS



Legend: C1 = Competitor 1; C2 = Competitor 2;  
C3 = Competitor 3

MEGASYNC™  
RUBBER TIMING BELTS

# MEGASYNC™ SILVER3

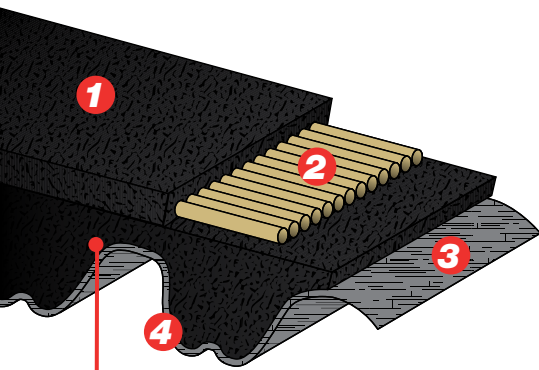
EXTRA HIGH-TORQUE



MEGASYNC™ Silver3 offers a higher power rating up to +20% over the former Silver and Silver2 belt range and a wealth of improved properties at the same price. With the RPC tooth profile, the new Silver3 gives full functional interchangeability with other deep profile systems. The existing RPP or Silver and Silver2 systems can be upgraded without replacing the pulleys. In addition, due to improved performance, the more compact dimension optimises space utilisation and cost for all new drive systems.

## FEATURES & BENEFITS:

- Tooth Pitch Code: SLV3 5M, SLV3 8M and SLV3 14M
- RPC tooth profile, known for its low-noise characteristics
- Cord: Increased load capacity over previous Silver/Silver2 construction
- Tooth Cover: impregnated fabric coated with a film provides low friction and durability
- Upgrades drive capacity with existing sprockets
- Antistatic properties: conforms to ISO 9563 (BS 2050) standard
- Operating temperatures: -25 °C up to +100 °C
- Available in any width
- On demand: SLV3 8M DD and SLV3 14M DD (Dual-Sided)



The MEGASYNC™ Silver3 belt is made with premium materials. The extensive development and tests performed have resulted in a synchronous belt that has:

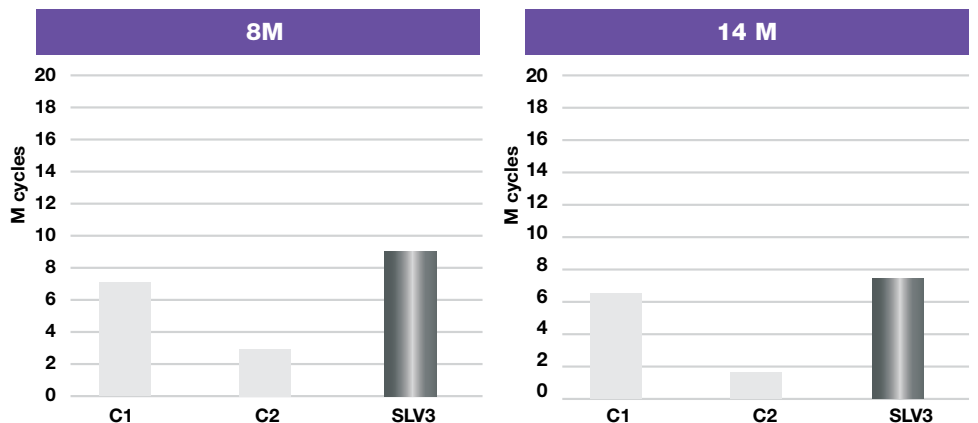
- 1. COMPOUND**  
Fiber loaded nitrile
- 2. CORD**  
Fiberglass
- 3. TOOTH FACING**  
Nylon Fabric: self-lubricating, low friction, extended life
- 4. TOOTH PROFILE**  
RPC

## PART NOMENCLATURE:

### 1800SLV3-8M50

- 1800** = Pitch length (mm)
- SLV3** = Silver3
- 8M** = Tooth Pitch (8mm)
- 50** = Belt width (mm)

## DURABILITY TEST - SILVER3 VS COMPETITORS



Legend: C1 = Competitor 1; C2 = Competitor 2; C3 = Competitor 3

MEGASYNC™  
RUBBER TIMING BELTS



# MEGASYNC™ RPP

## HIGH-TORQUE

### FEATURES & BENEFITS:

- Tooth Pitch Codes: RPP3, RPP5, RPP8, and RPP14
- Compound: Chloroprene
- Cord: Fiberglass
- Tooth Cover: Nylon
- Tooth Profile: RPP - HTB available on request
- Operating Temperatures: -25 °C up to +80 °C
- Available in any width



# STANDARD TIMING BELTS

## TRAPEZOIDAL TOOTH

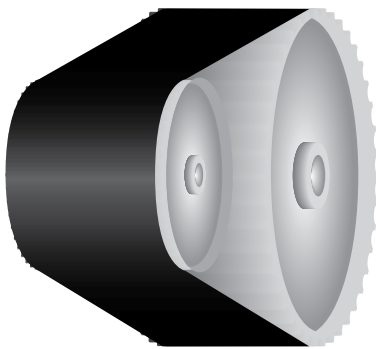
### FEATURES & BENEFITS:

- Tooth Pitch Codes: MXL, XL, L, H, XH, XXH
- Compound: Chloroprene
- Cord: Fiberglass
- Tooth Cover: Nylon
- Tooth Profile: Trapezoidal
- Operating Temperatures: -25 °C up to +80 °C
- Available in any width

# PERFORMANCE

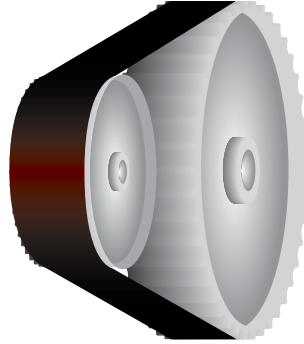
## WIDTH INDEX

Higher performance belt = narrower drive



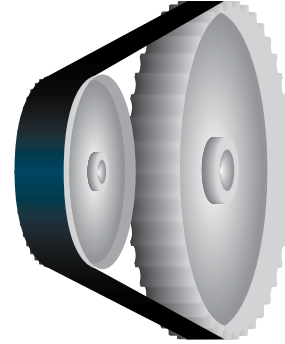
**RPP**

**HIGH TORQUE**



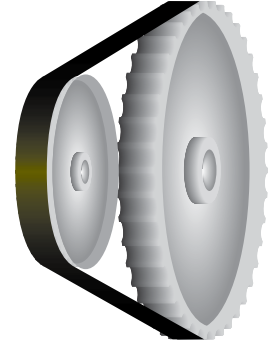
**MEGADYNE MEGASYNC Silver3**

**EXTRA-HIGH TORQUE**



**MEGADYNE MEGASYNC Gold2**

**SUPER-HIGH TORQUE**



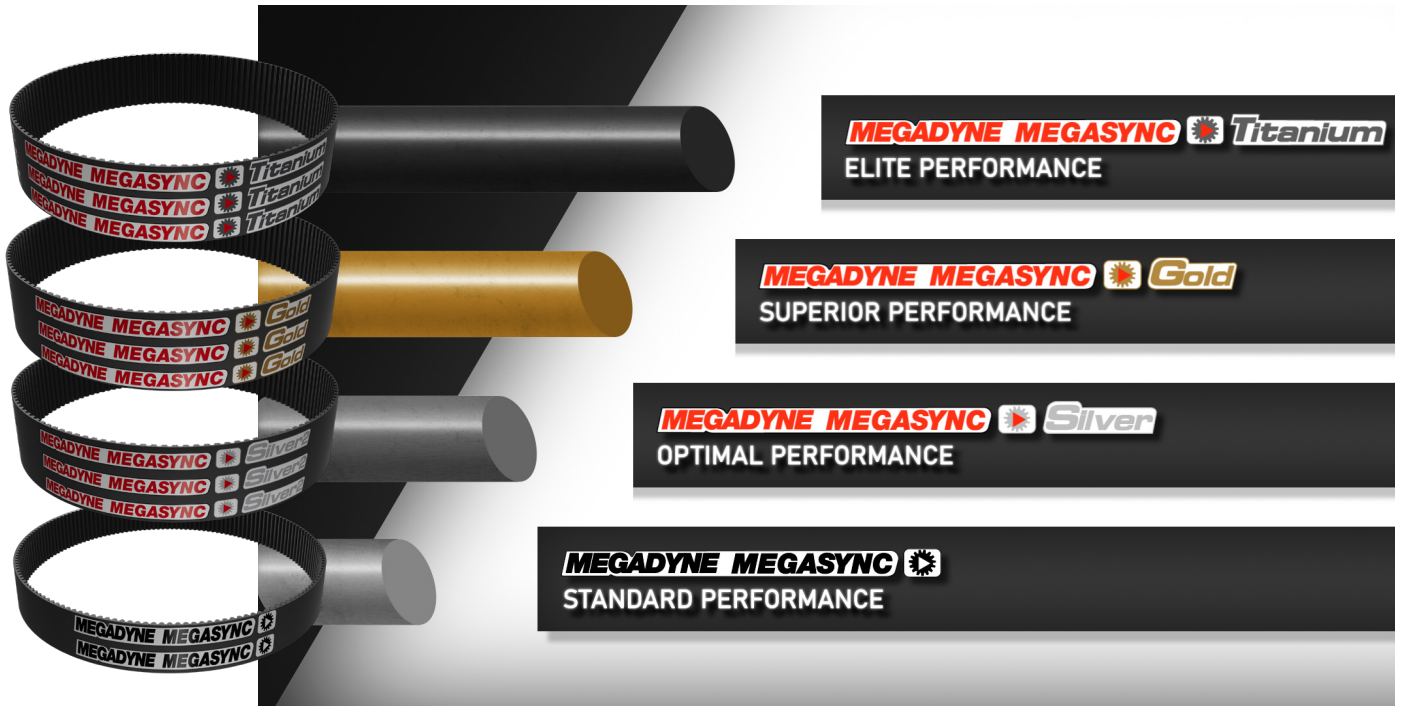
**MEGADYNE MEGASYNC Titanium**

**ULTRA-HIGH TORQUE**

Drives pictured above are for demonstration purposes only. From left to right, MEGADYNE MEGASYNC™ RPP to Titanium conveys a reduction in total drive cost: belts, sprockets, weight and bearing hub load, plus more efficiency, lower noise and less energy consumption.

# PERFORMANCE

## COMPARISON INDEX



This image illustrates a power comparison of belts that are equal width. MEGADYNE MEGASYNC™ Titanium belts are up to 6x the rated horse power capacity of standard RPP belts. The above examples are for illustrative purposes only.

MEGASYNC™  
RUBBER TIMING BELTS

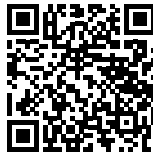
# Discover Your Local Contacts

The local partner of choice  
for sustainable power transmission belting solutions  
around the globe.



**General contact information:**

**Megadyne**  
Via Trieste, 16  
Via S. Lucia 114 - 10075 Mathi (Torino)  
Italy



Scan the QR code  
and find your local  
contact

