

# SEMI-AUTOMATIC STRAPPING MACHINE

---



**D-53**

# D-53 Series

## Semi – Automatic Strapping Machine

### ▪ VARIABLE AND CONSISTENT TENSION

Stabilized Tensioning that is controlled with a microprocessor can easily be adjusted from 2kgf to 50kgf (4.4 Ibs. to 110 Ibs.) with a single dial. Tension is applied with a newly developed Steel Roller. In addition, the maximum Tension Range can be limited in order to prevent a damage of valuable package.

### ▪ SEAL PROLONGATION

Longer sealing time (plus 0.5 sec) for Heavy strap can easily be applied. (Option)

### ▪ DESK-LIKE BODY

It provides a broad workspace and maximum foot room.

### ▪ SMALL & FUNCTIONAL

Sealing head is located in the right side of the body in order to utilize the working surface of the tabletop. Machine body is small and light, easy to maneuver, yet strong and sturdy for heavy packages.

### ▪ QUICK HEATER

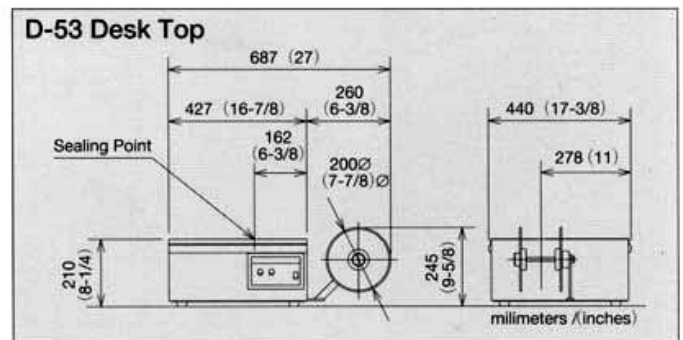
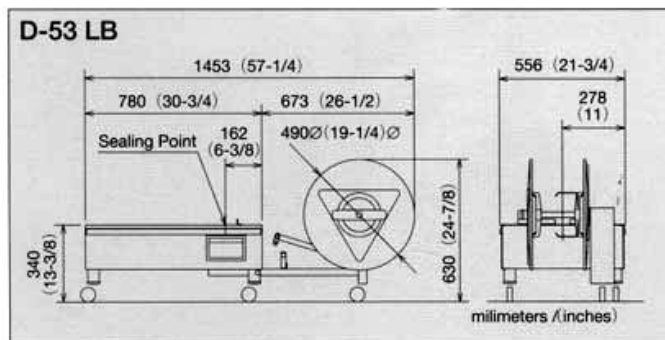
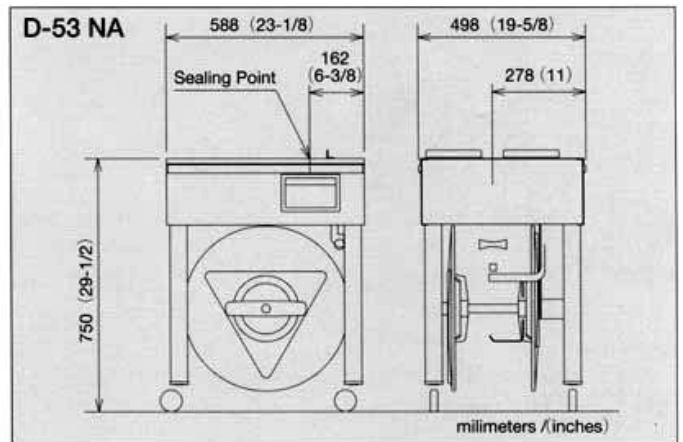
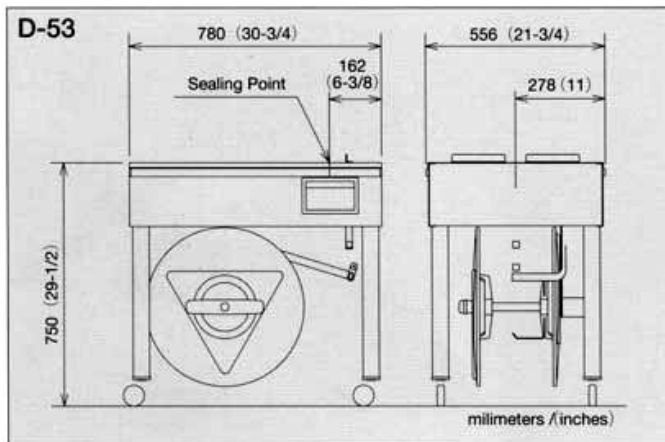
Only requires 30 seconds to reach operating temperature.

### ▪ HIGH SPEED CYCLE

Cycle starts immediately after the strap is inserted into the Band Guide and completes the cycle faster than ever.

### ▪ STRAP SIZE

This model can be used with strap width ranging from 5mm (1/4 in.) to 12 mm (1/2 in.)



### ▪ Standard Specifications

		D - 53	
<b>Dimensions</b>	width	780 mm	
	depth	556 mm	
	table height	750 mm	
	height	775 mm	
<b>Weight</b>	50kg		
<b>Strap Tension</b>	approx. 20 – 490 N (2 – 50kgf)		
<b>Package Size</b>	width 100 mm - free	height 30 mm -free	
<b>Strap Width</b>	5, 6, 9 or 12 mm		
<b>Power Supply</b>	100, 220, 240 V single phase 50/60 Hz 0.4KVA		



**OMOSA  
STRAPP, S/A**

**COMOSA STRAPP, S/A**

C/. Bac, nave 1 y 2 (Políg. Ind. Foinvasa)  
 Telf. (93) 575 08 44  
 Fax (93) 564 71 94  
 08110 MONTCADA I REIXAC  
 (Barcelona)