

ENGINEERING
YOUR SPRAY SOLUTION



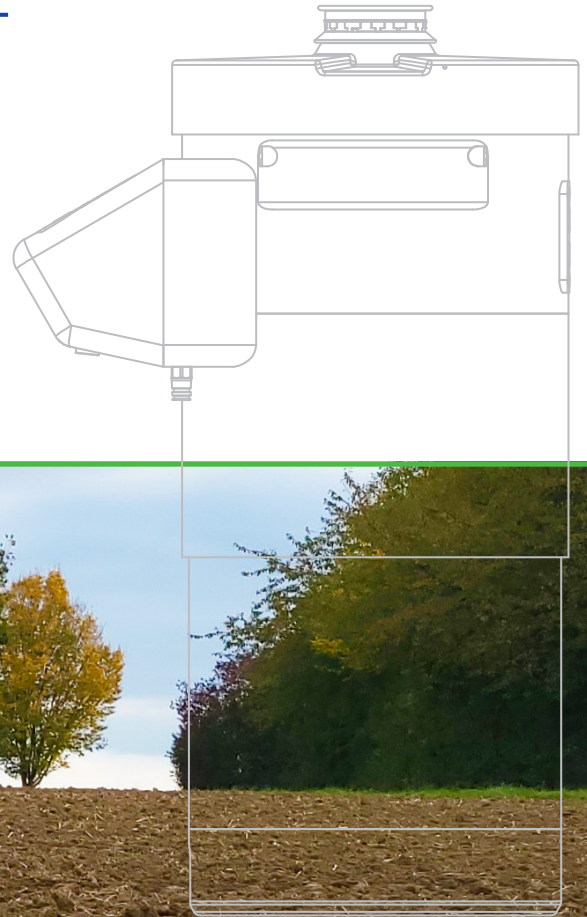
NEW



LECHLER XAMOUNT

Safe dosing and dispensing of
liquid crop protection products

XAMOUNT



AGRICULTURE





SAFE, EFFICIENT TRANSFER OF CROP PROTECTION PRODUCTS



Liquid crop protection products must be handled safely. At the same time, this must not be at the expense of efficiency. With the Lechler XAMOUNT, a system is available for fast, contactless removal and precise dosing. It is compatible with the easyconnect-cap.

The easyconnect system is a closed transfer system (CTS) for liquid crop protection products. With the Lechler XAMOUNT, the individual work steps from locking to removal of the clean-

er canister run fully automatically. You can choose between partial removal (also for multiple canisters) and complete removal of the entire canister contents. The weighing system works independently of the viscosity of the crop protection agent.

The non-contact filling of the crop protection device thus ensures the best possible protection for the user.

Easyconnect

The easyconnect system was developed from the cooperation of numerous industry partners in order to ensure the safe handling of crop protection products. Lechler supports the initiative as a licensee.

- Safe, efficient transfer of liquid plant crop protection products
- Compatible with easyconnect-caps

Advantages

- Easy handling of 1- to 15-liter canisters
- High dosing accuracy according to ISO 21191
- Improved, fast canister cleaning
- Easy attachment through singlepoint suspension
- Power supply 12 V via plug to the vehicle
- Water and dust protection of coupler and display
- Easy operation via display even with gloves
- Fully automatic extraction and cleaning



www.lechler.com/de-en/medialibrary
Or scan the QR code.



Technical data:

- Accuracy according to ISO 21191
- Canister: 1–15 L
- Suction: vacuum up to 950 mbar
- Fresh water pressure: 2–10 bar
- Power supply: 12 V

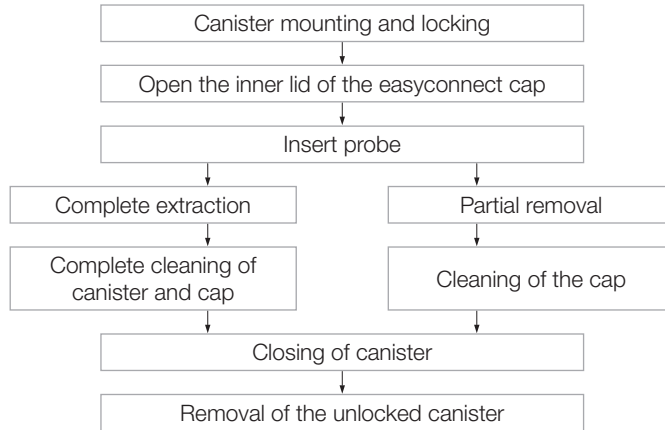
Connections:

- Fresh water: 1/2 inch
- Power: 3-pin connector DIN 9680
- Suction: 1 inch dry poppet
- Mounting hole pattern: 60 × 60 mm with 4 × M8

Dimensions:

- 640 x 400 x 300 mm Coupler
- Length of fresh water hose: 3 m
- Length of suction hose: 3 m
- Cable length: 4 m

Process steps of removal



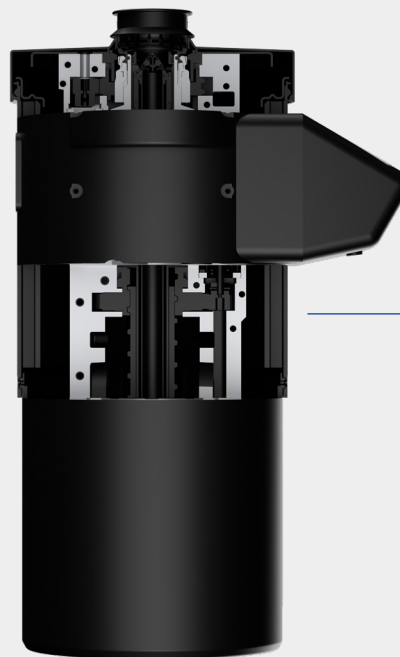
* Addition of several canisters emptied one after the other

The easyconnect system consists of two components:

- the reclosable, leak-proof cap with integrated inner lid on the canister
- the CTS Coupler

Weighing unit

- Three load cells
- Vibration compensation
- Trouble-free weighing
- No contact with crop protection products
- Parking position for transport



Innovative drives

- 12 V motors
- Automatic locking and unlocking of the canister
- Probe movement and rotation for canister and lid cleaning

Clear water valve

- Electric valve
- Automatic control of the cleaning process



Cleaning nozzle

- High spray impact for canister cleaning
- Maximum cleaning effect by mounting the cleaning head on a vertically movable and rotating probe (electrically driven)
- The inside of the lid is continuously cleaned, right through to the rinsing of the canister.
- Adaptive cleaning program

**ENGINEERING
YOUR SPRAY SOLUTION**



Lechler GmbH · Precision Nozzles · Agricultural Spray Nozzles and Accessories

Paul-Lechler-Strasse 11 · 72555 Metzingen, Germany · Phone +49 7123 962-0 · info@lechler.de · www.lechler-agri.com

China: Lechler Nozzle Systems (Changzhou) Co., Ltd. · No.99 Decheng Rd, Jintan, Changzhou, JS 213200, P.R.C · Phone +86 400-004-1879 · info@lechler.com.cn

France: Lechler France SAS · Parc de la Haute Maison · 6, Allée Képler, Bâtiment C2 · 77420 Champs-sur-Marne · Phone +33 1 49882600 · info@lechler.fr

India: Lechler (India) Pvt. Ltd. · Plot B-2 · Main Road · Wagle Industrial Estate Thane · 400604 Maharashtra · Phone +91 22 40634444 · lechler@lechlerindia.com

Italy: Lechler Spray Technology S.r.l. · Via Don Dossetti, 2 · 20074 Carpiano (MI) · Phone +39 02 98859027 · info@lechleritalia.com

Spain: Lechler, S.A. · C / Isla de Hierro, 7 – Oficina 1.3 · 28703 San Sebastián de los Reyes (Madrid) · Phone +34 91 6586346 · info@lechler.es



Edition 01/2026 · EN · 986524
Subject to technical modifications or mistakes.